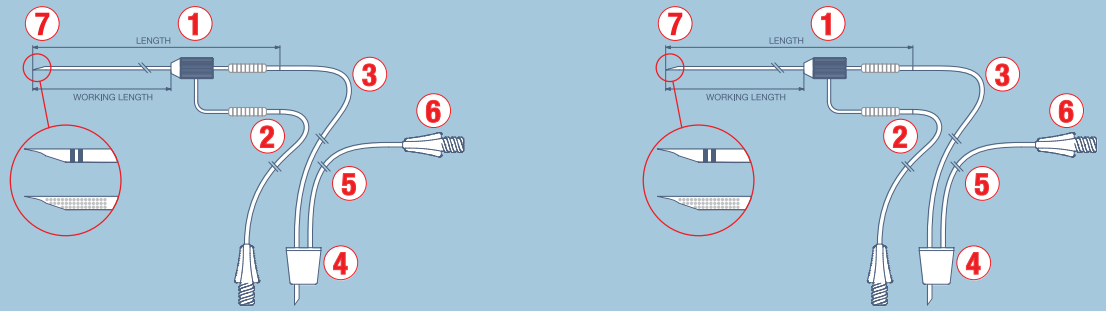


SUPERIOR FAS

CONFIGURE YOUR OWN CUSTOM-MADE SUPERIOR FOLLICLE ASPIRATION SET IN 7 STEPS



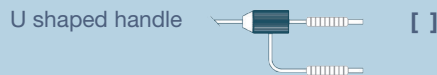
COPY OR DOWNLOAD AT WWW.GYNETICS.BE, COMPLETE AND RETURN FOR INQUIRY

STEP 1 CHOOSE YOUR FLUSH NEEDLE

TICK BOX Control

Needle Lumen	Gauge	OD/ID (mm)	OD/ID (inch)	Length (mm)	Length (inch)		
Double	16G	outer lumen 1.65/1.40 inner lumen 1.20/1.00	0.065/0.055 0.047/0.039	352	13.858	Rigid	<input type="checkbox"/>
Double	17G	outer lumen 1.50/1.20 inner lumen 1.00/0.80	0.059/0.047 0.039/0.032	352	13.858	Rigid	<input type="checkbox"/>
Single	17.5G	1.40/1.20	0.055/0.047	352	13.858	Flexible	<input type="checkbox"/>
Single	17.5G	1.40/1.00	0.055/0.039	352	13.858	Rigid	<input type="checkbox"/>

The working length of each needle is 300 mm/11.811 inch



STEP 2 CHOOSE YOUR FLUSH TUBING

Tubing	Length needed	Remarks	
Regular Tubing	_____ cm/inch	n/a	<input type="checkbox"/>
Soft Tubing	_____ cm/inch	n/a	<input type="checkbox"/>
Thick Wall Tubing	_____ cm/inch	max. 120 cm/47.2 inch	<input type="checkbox"/>

STEP 3 CHOOSE YOUR TUBING FROM NEEDLE TO CORK

Tubing	Length needed	Remarks	
Regular Tubing	_____ cm/inch	n/a	<input type="checkbox"/>
Soft Tubing	_____ cm/inch	n/a	<input type="checkbox"/>
Thick Wall Tubing	_____ cm/inch	max. 120 cm/47.2 inch	<input type="checkbox"/>

STEP 4 SILICON CORK

Type	Size (mm)	Size (inch)	
Small Cork	14 x 18 x 20	0.55 x 0.71 x 0.79	<input type="checkbox"/>
Medium Cork	21 x 27 x 30	0.83 x 1.06 x 1.18	<input type="checkbox"/>

STEP 5 CHOOSE YOUR TUBING FROM CORK TO PUMP

Type	Length needed	Remarks	
Regular Tubing	_____ cm/inch	n/a	<input type="checkbox"/>
Soft Tubing	_____ cm/inch	n/a	<input type="checkbox"/>
Thick Wall Tubing	_____ cm/inch	max. 120 cm/47.2 inch	<input type="checkbox"/>

STEP 6 CHOOSE YOUR CONNECTION TO THE PUMP

Female Luer Connector (standard)	<input type="checkbox"/>
Male Luer Connector	<input type="checkbox"/>
No Connector	<input type="checkbox"/>

STEP 7 CHOOSE YOUR VARIATION OF THE TIP

